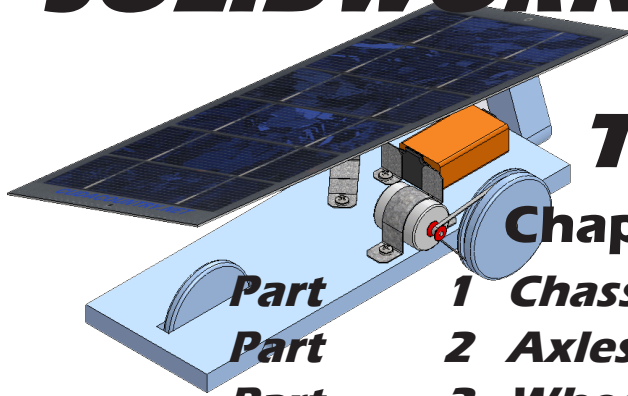


SOLIDWORKS 2012 TUTORIALS

SOLAR CAR

Table of Contents



	Chapters	Page
Part	1 Chassis.....	1-1
Part	2 Axles.....	2-1
Part	3 Wheels.....	3-1
Part	4 Motor.....	4-1
Part	5 Motor Mount.....	5-1
Part	6 L-Bracket and Switch	6-1
Part	7 Battery 9 Volt	7-1
Part	8 Battery Clip.....	8-1
Assembly	9 Assembly.....	9-1
Drawing	10 Drawing	10-1
Part	11 Pulley with Mates.....	11-1
Part	12 Rubber Band Belt with Mates	12-1
Toolbox	13 Toolbox Screw, Nut and Washer	13-1
Part	14 Arm with Mates.....	14-1
Part	15 Cross Support with Mates.....	15-1
Part	16 Panel and Decal with Mates.....	16-1

