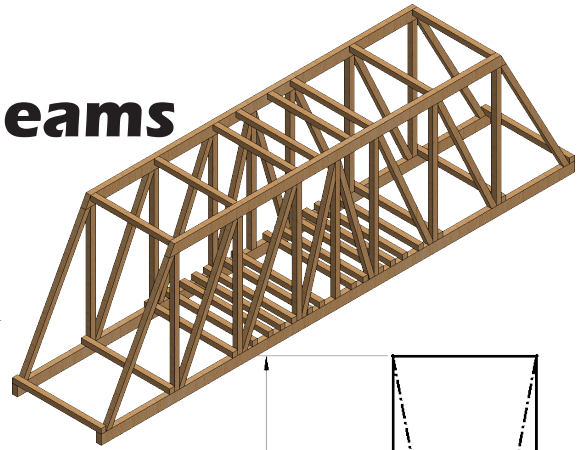


# Add Floor Beams



## A. Edit Simple Span Sketch.

Step 1. If necessary, open your **Bridge1** part file.

Step 2. Expand **SIMPLE SPAN** folder, click **Sketch 1** in the Feature Manager and click **Edit Sketch** on the Content toolbar, **Fig. 1**.

Step 3. Click **Normal To** on the Standard Views toolbar. (**Ctrl-8**)

Step 4. Click **Line** (L) on the Sketch toolbar.

Step 5. Draw **4 horizontal lines** across sketch, **Fig. 2**. To terminate chain, double click back on the horizontal line you have just drawn. Start all lines on right vertical line and draw lines to left side.

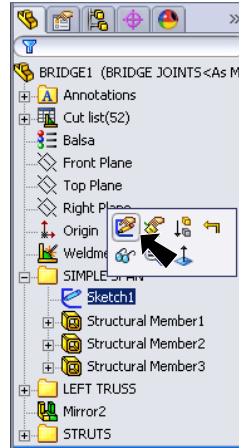


Fig. 1

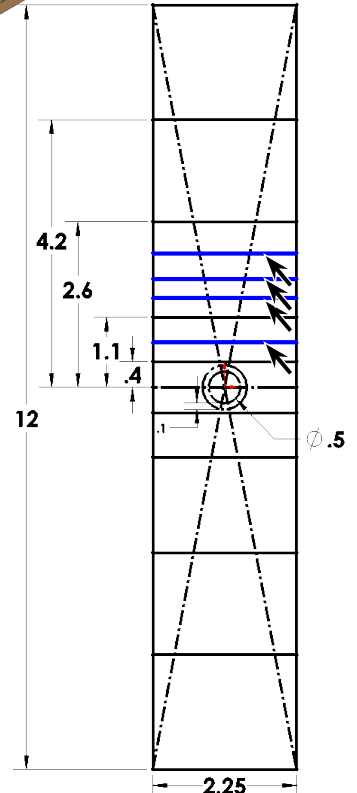


Fig. 2

Step 6. Click **Smart Dimension** (S) on the Sketch toolbar or it might be faster to use

**Fully Defined Sketch** (D) on the Sketch toolbar. If not on your toolbar, use Tools Menu > Dimensions > Fully Define Sketch.

Step 7. In the Fully Define Sketch Property Manager set:

under Dimensions, **Fig. 3**  
**Horizontal Dimensions Scheme Ordinate**  
**Datum Point1@Origin**

under Dimension Placement  
 select **Right of sketch**

click OK

Step 8. Either dimension method, add the dimensions, **Fig. 4**.

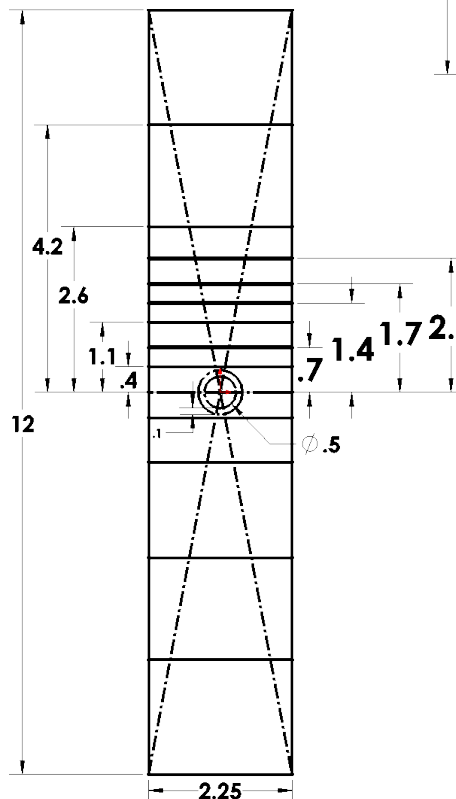


Fig. 4

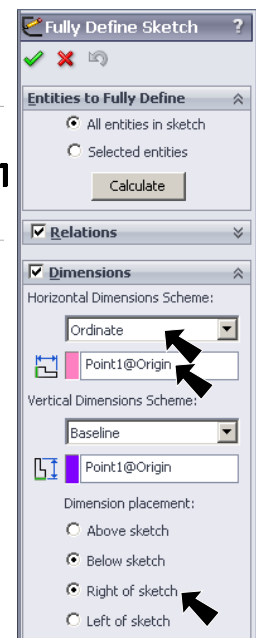


Fig. 3

## B. Mirror Entities.

Step 1. **Ctrl** click the 4 new horizontal lines and the centerline to select, **Fig. 5**.

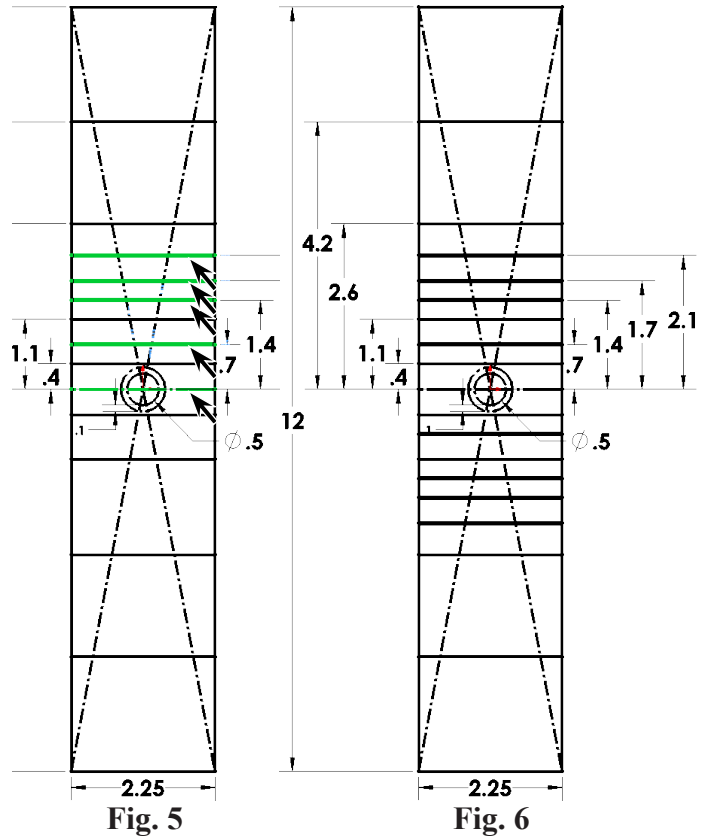
Step 2. Click **Mirror Entities**

 on the Sketch toolbar, **Fig. 6**.

Step 3. Click **Exit Sketch** on the Sketch toolbar.




Step 4. Save. Use **Ctrl-S**.



## C. Edit Structural Member.

Step 1. Click **Isometric**  on the Standard Views toolbar. (Ctrl-7)

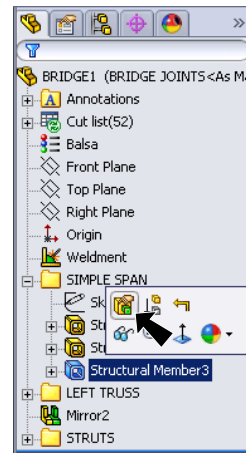
Step 2. Click **Structural Member3** in the Feature Manager and click **Edit Feature**  in the Content toolbar, **Fig. 7**.

Step 3. In the Structural Member Property Manager set: under Selections in the Groups box click **Group3**, **Fig. 8**

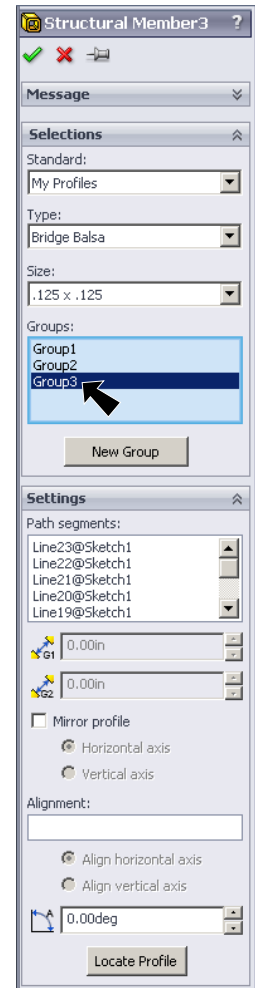
click all new floor beam lines  
do not select the centerline  
**Fig. 9 and Fig. 10**

click OK .

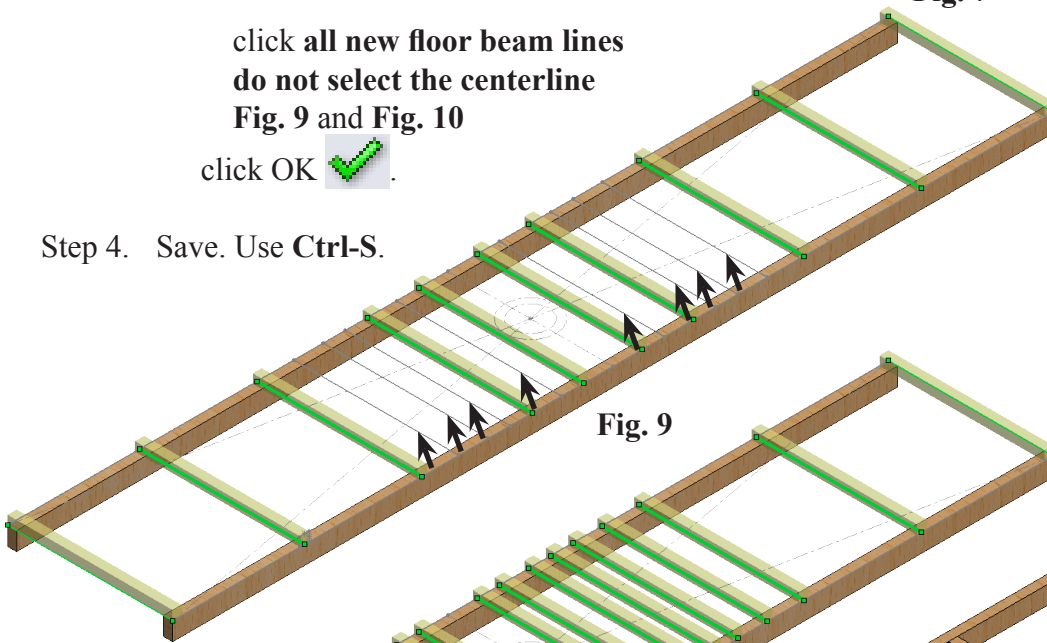
Step 4. Save. Use **Ctrl-S**.



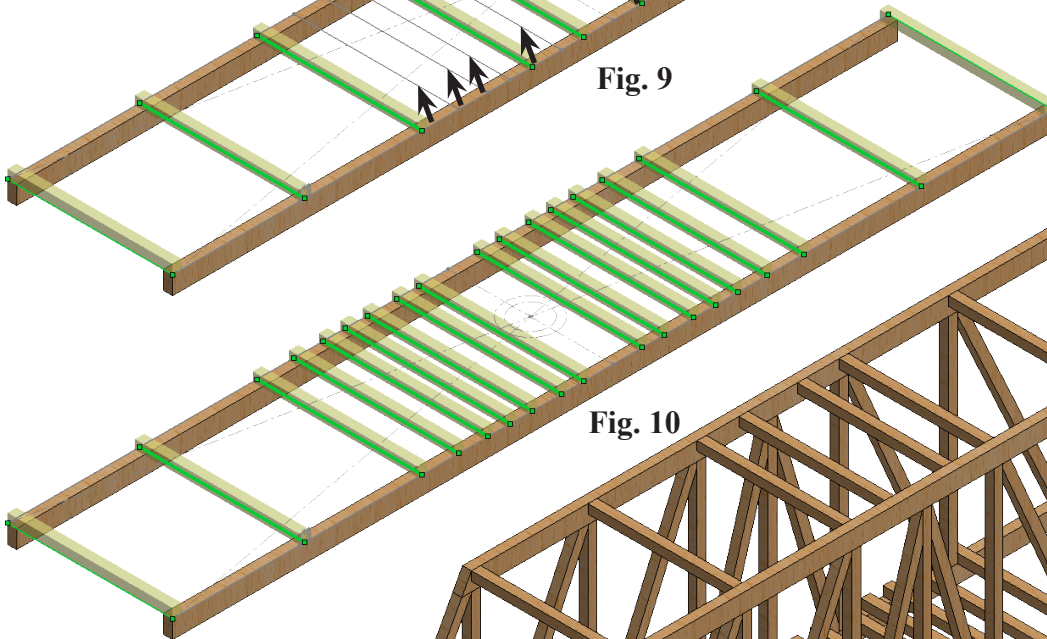
**Fig. 7**



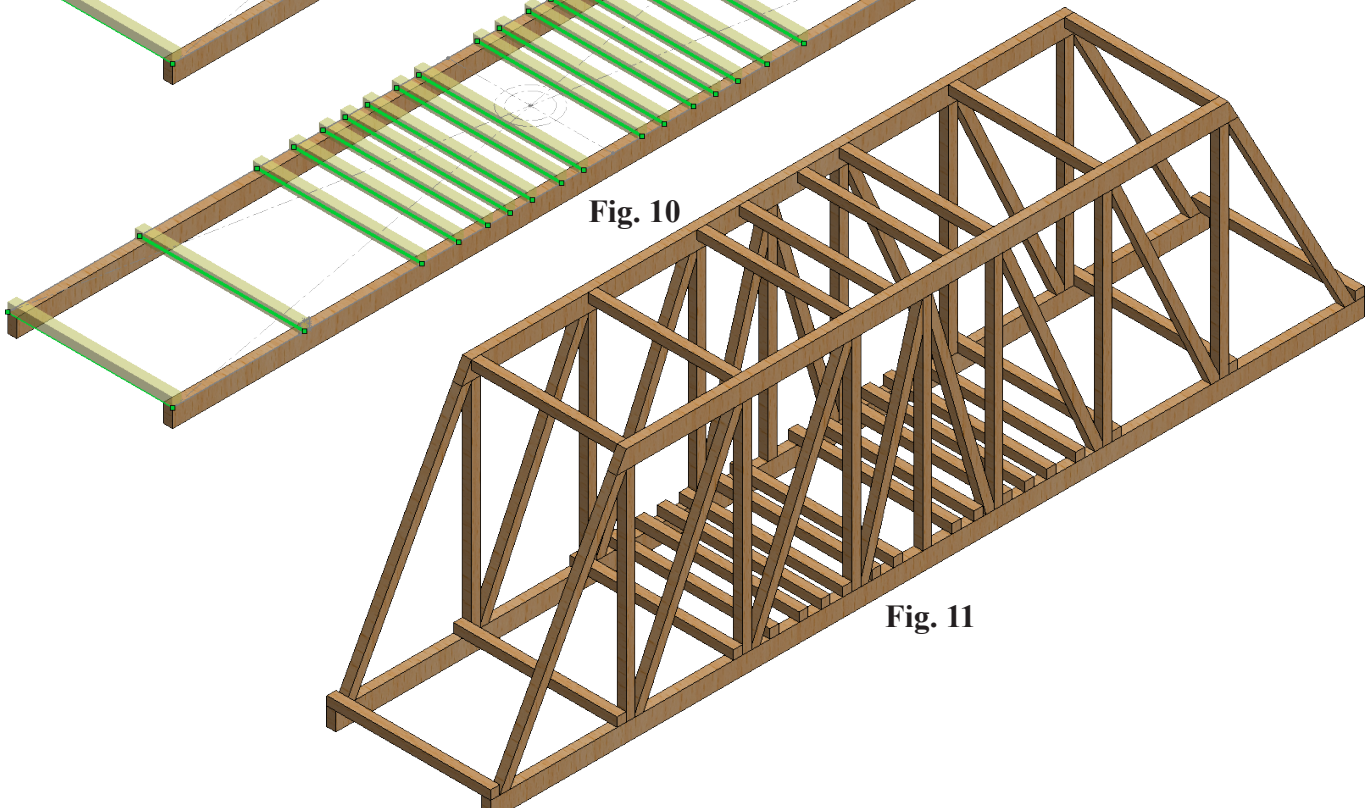
**Fig. 8**



**Fig. 9**



**Fig. 10**



**Fig. 11**