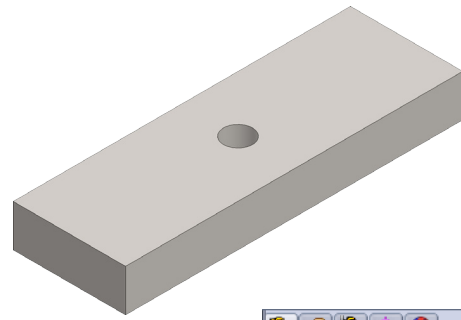




Chapter 13

Bridge Block



A. Sketch.

Step 1. Click File Menu > New, click **Part** and OK.

Step 2. Click **Top Plane**  in the Feature Manager and click **Sketch**  from the Content toolbar, **Fig. 1**.

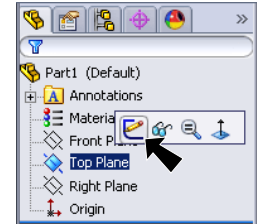




Fig. 1

Step 3. Click **Center Rectangle**  (S) in the **Rectangle flyout**  on the Sketch toolbar.

Step 4. Starting at Origin  draw a rectangle, **Fig. 2**.

Step 5. Click **Smart Dimension**  (S) on the Sketch toolbar.

Step 6. Dimension **2 x 6**, **Fig. 2**.

Step 7. Click **Zoom to Fit**  (F) on the View toolbar.

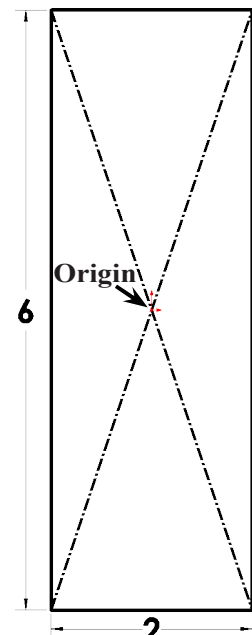


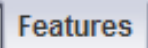
Fig. 2

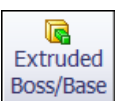
B. Save as "BLOCK".

Step 1. Click File Menu > Save As.

Step 2. Key-in **BLOCK** for filename and press ENTER.

C. Extrude.

Step 1. Click **Features**  on the Command Manager toolbar.

Step 2. Click **Extruded Boss/Base**  on the Features toolbar.

Step 3. In the Property Manager set:
under Direction 1, **Fig. 3**

Depth  D1 **.75**

click OK .

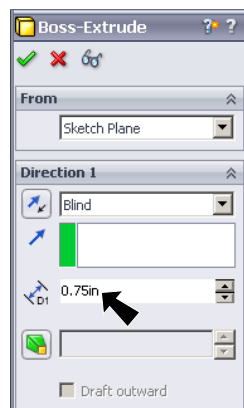


Fig. 3

Step 4. Save. Use **Ctrl-S**.

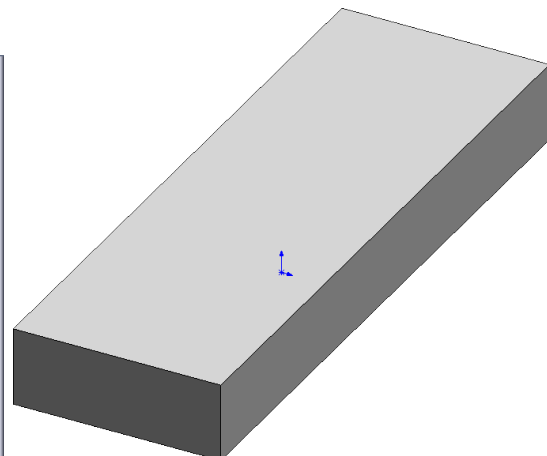



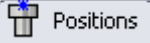
Fig. 4


D. Hole Wizard 33/64" Hole.

Step 1. Click **Hole Wizard**  on the Features toolbar.

Step 2. In the Property Manager, on the Type tab set:
under Hole Type, **Fig. 5**

click **Hole** 
under Standard:
select **ANSI Inch**
under Type:
select **Fractional Drill Sizes**
under Size:
select **33/64**
under End Condition
End Condition **Through All**

Click **Positions** tab 
at top of the Property Manager.

First, click top face to select face
and then click Origin  to place
hole, **Fig. 6**.

Click OK .

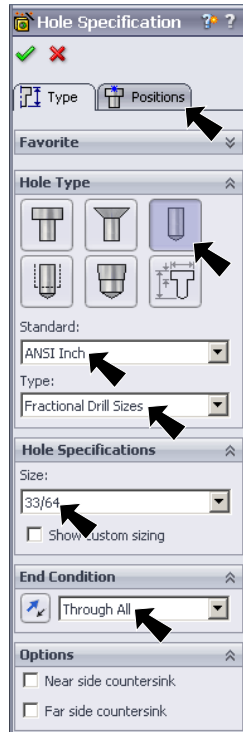


Fig. 5

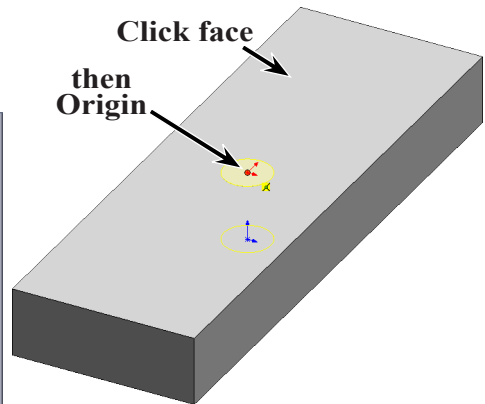


Fig. 6

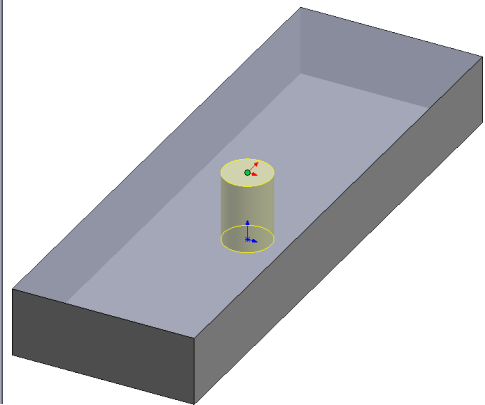


Fig. 7

E. Material Steel.

Step 1. **Right click** **Material**  in
the Feature Manager and click
Edit Material, **Fig. 8**.

Step 2. **Expand Steel** in the material
tree and select **Plain Carbon
Steel**. Click **Apply** and **Close**.

Step 3. Save. Use **Ctrl-S**.

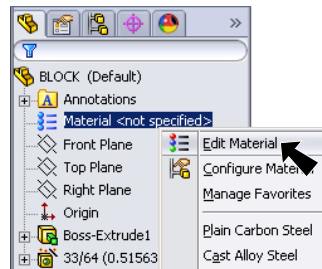


Fig. 8

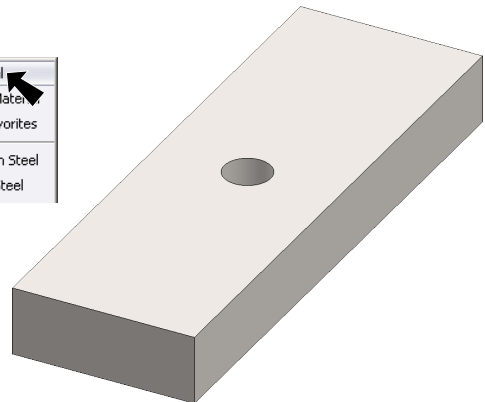


Fig. 7