



A. Corner Rectangle.

Step 1. Click File Menu > New, click **Part** and OK.

Step 2. Click **Front Plane**  in the Feature Manager and click **Sketch**  from the Content toolbar, **Fig. 1**.

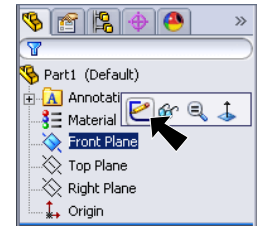
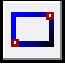
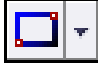


Fig. 1

Step 3. Click **Corner Rectangle**  (S) in the **Rectangle flyout**  on the Sketch toolbar.

Step 4. Draw a corner rectangle away from the Origin , **Fig. 2**.

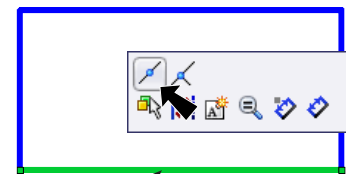


Origin

Fig. 2

Step 5. **Right click drawing and click Select** from menu to unselect Rectangle tool.

Step 6. **Ctrl click line and Origin** to select both. Release Ctrl key and click **Make Midpoint**  on the Content menu, **Fig. 3**.



Ctrl click line and Origin

Fig. 3

Step 7. Click **Smart Dimension**  (S) on the Sketch toolbar.

Step 8. Dimension rectangle .4 by .2, **Fig. 4**.

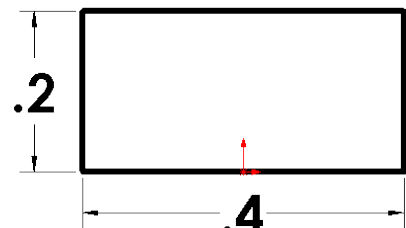
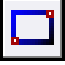



Fig. 4

Step 9. Click Zoom to Fit  (F) on the View toolbar.

Step 10. Click **Corner Rectangle**  (S) in the **Rectangle flyout**  on the Sketch toolbar.

Step 11. Draw a corner rectangle inside first rectangle, **Fig. 5**.

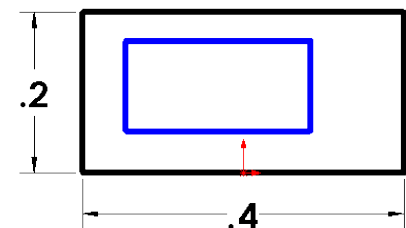
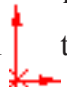

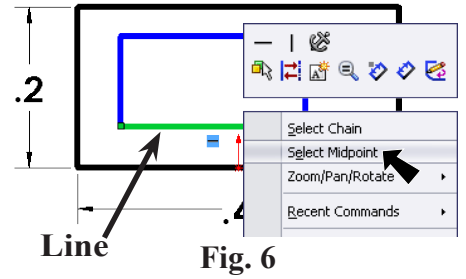


Fig. 5

Step 12. **Right click drawing and click Select** from menu to unselect Rectangle tool.

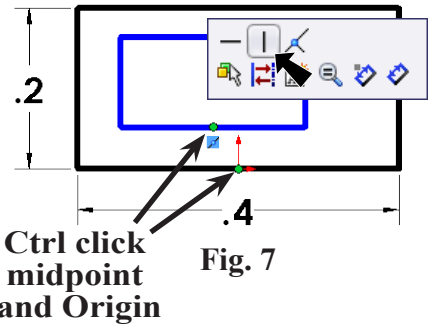
Step 13. **Right click bottom line of second rectangle and click Select Midpoint** from Content menu, **Fig. 6**. **Ctrl click**


Origin  to select midpoint and Origin, **Fig. 7**. **Release Ctrl key and click Make Vertical**  on the Content menu, **Fig. 8**.



Step 14. Click **Smart Dimension**  (S) on the Sketch toolbar.

Step 15. Dimension inside rectangle **.3** by **.15**, **Fig. 8**.

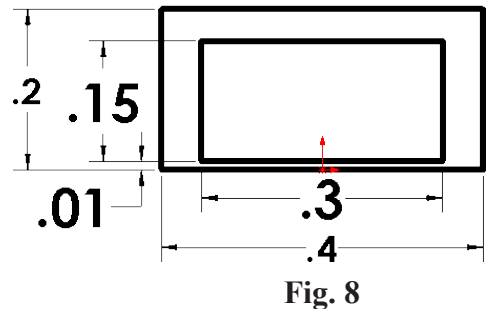


Step 16. Click **Features**  on the Command Manager toolbar.

Step 17. Click **Extruded Boss/Base**  on the Features toolbar.

Step 18. In the Property Manager set:
under Direction 1, **Fig. 9**
End Condition **Mid Plane**

Depth  **1**
click OK , **Fig. 10**.

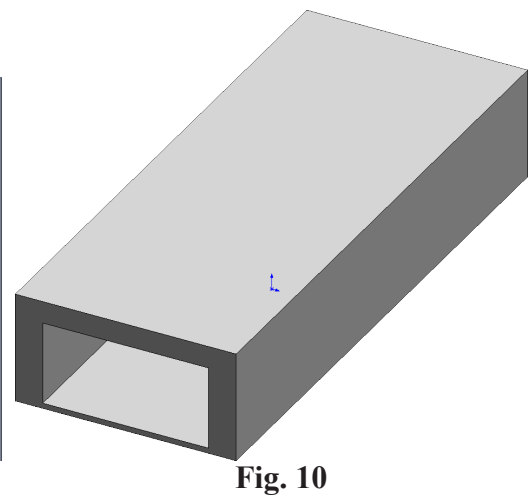
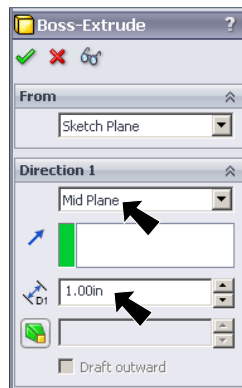


Step 19. Click **Zoom to Fit**  (F) on the View toolbar.

B. Save as "FRAME".

Step 1. Click File Menu > Save As.

Step 2. Key-in **FRAME** for the file-name and press ENTER.



C. Fillet.

Step 1. Click **Fillet**  on the Features toolbar.

Step 2. In the Fillet Property Manager set:

Radius  .05, Fig. 11

click **both top edges**, Fig. 12 and Fig. 13

click **OK** .

Step 3. Save. Use **Ctrl-S**.

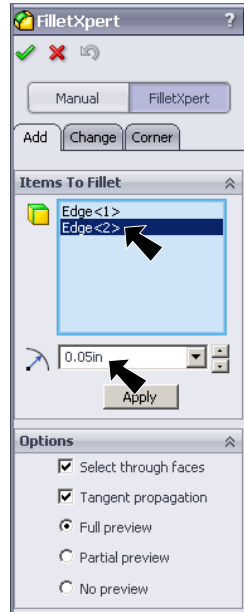


Fig. 11

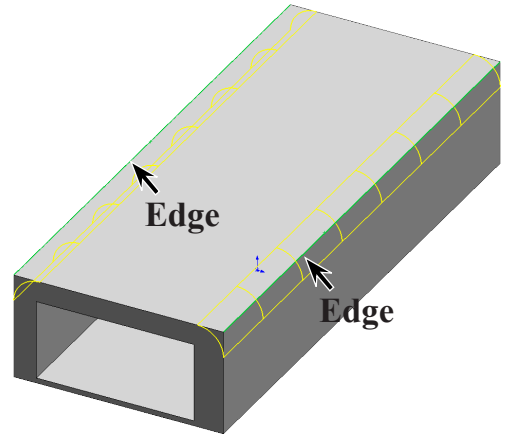


Fig. 12

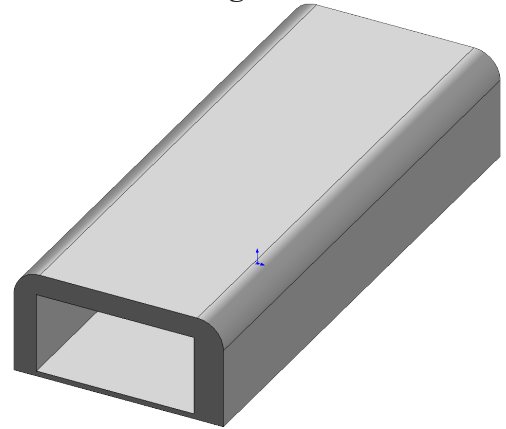




Fig. 13

D. Appearance Color.

Step 1. Click the part, expand **Appearance Callout**  on the Content menu and click **FRAME** , Fig. 14.

Step 2. In the Appearances Property Manager,

under **Color:**

set **RGB values**

R 95

G 154

B 255

click **OK** , Fig. 15.

Step 3. Save. Use **Ctrl-S**.

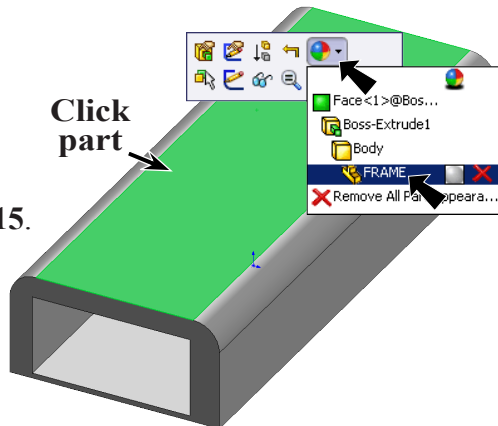


Fig. 14

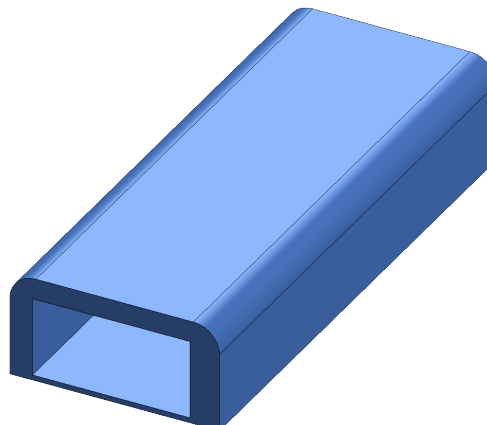


Fig. 16

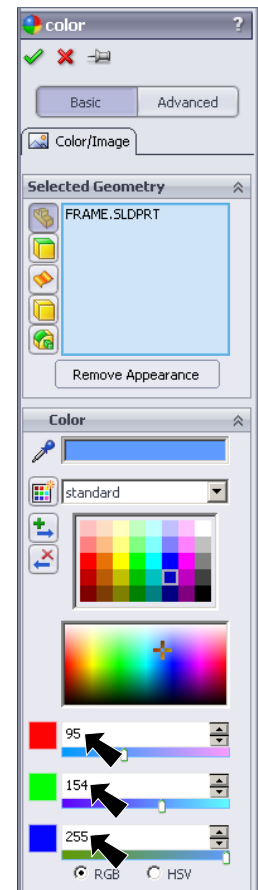


Fig. 15