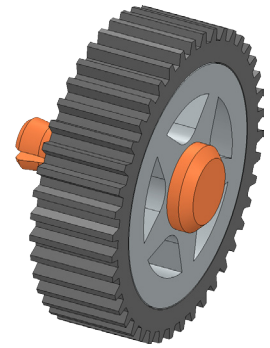






Stake Bed Pickup Truck Wheel Assembly



A. Insert Rim and Tire.

- Step 1. Click File Menu > New, click **Assembly Metric** and OK.
- Step 2. Select your **RIM** file and click Open from the Open dialog box.
- Step 3. In the Begin Assembly Property Manager set:

click **Keep Visible** , **Fig. 1**

Click OK  in the Property Manager. This will place Rim origin at the assembly origin and fix the position so Rim cannot move. This fixed component should have a **(f)** before its name in the Feature Manager  (f) RIM<1> .

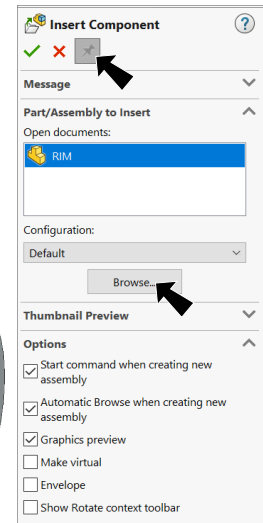


Fig. 1

- Step 4. Click **Browse** in the Property Manager, **Fig. 1**.

- Step 5. Select your **TIRE** file and click Open.

- Step 6. Click approximately where Tire is positioned in **Fig. 2**.

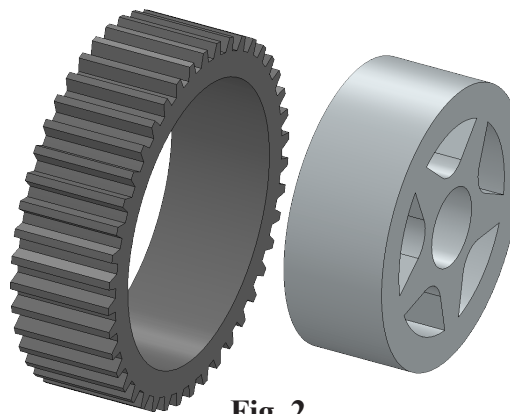


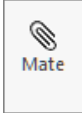

Fig. 2

- Step 7. Click OK  in the Property Manager when done.

B. Save as "WHEEL ASSEMBLY".

- Step 1. Click File Menu > Save As.
- Step 2. Key-in **WHEEL ASSEMBLY** for the filename and press ENTER.

C. Mate: Tire to Rim.

- Step 1. Click **Mate**  on the Assembly toolbar.
- Step 2. Click **side face of Rim** and **side face of Tire**, **Fig. 3**.
- Step 3. Click Add/Finish Mate  to add **Coincident** mate.

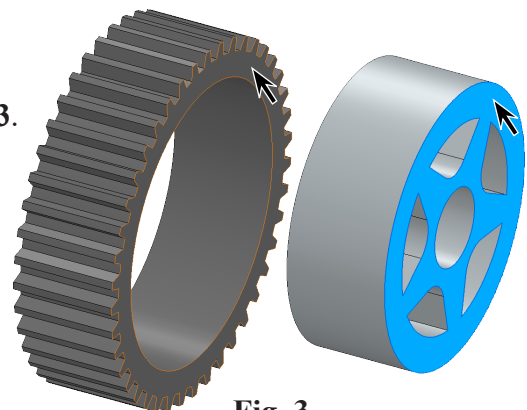
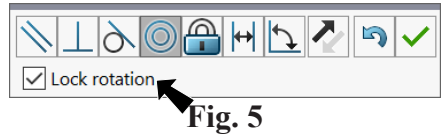


Fig. 3

Step 4. Click a **cylindrical face of Rim** and a **cylindrical face of Tire**, **Fig. 4**.

Step 5. Check **Lock Rotation** and Add/Finish Mate  in Mate pop-up toolbar to add a **Concentric** mate, **Fig. 5**.

Step 6. Click OK  in the Property Manager.



Step 7. Save  (Ctrl-S).

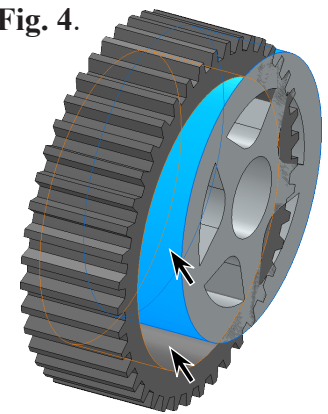


Fig. 4

D. Insert Axle.

Step 1. Click **Insert Components**  on the Assembly toolbar.

Step 2. Select your **AXLE** file.

Step 3. Place the Axle, **Fig. 6**.

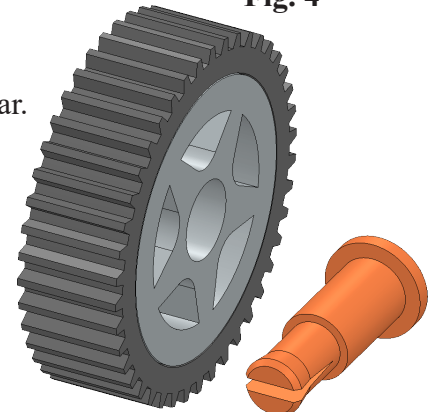
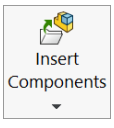
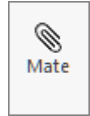


Fig. 6

E. Mate: Axle.

Step 1. Click **Mate**  on the Assembly toolbar.

Step 2. Click **bottom face of Axle hub** and **side face of Rim**, **Fig. 7**.

Step 3. Click Add/Finish Mate  to add **Coincident** mate.

Step 4. Click a **cylindrical face Axle** and a **cylindrical face of Rim**, **Fig. 8**.

Step 5. Click Add/Finish Mate  to add a **Concentric** mate.

Step 6. Click OK  in the Property Manager.

Step 7. Save  (Ctrl-S).

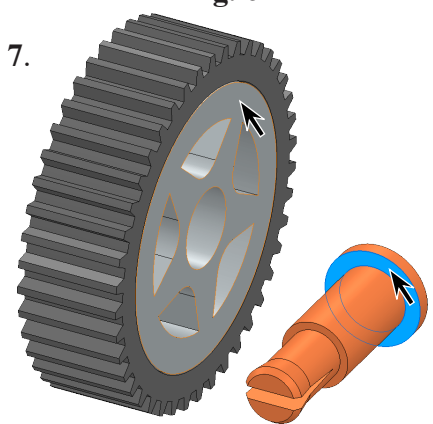


Fig. 7

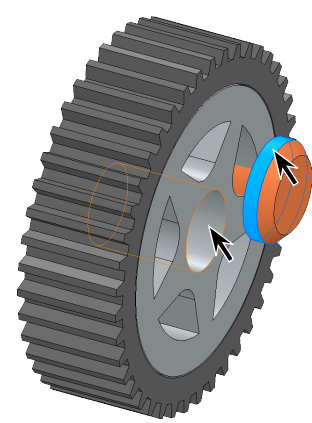


Fig. 8

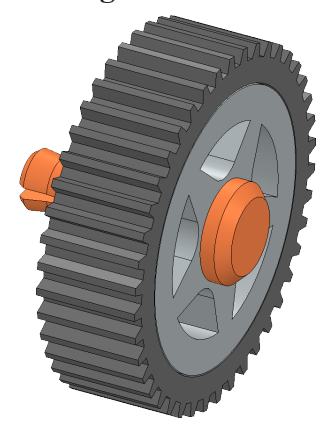


Fig. 9