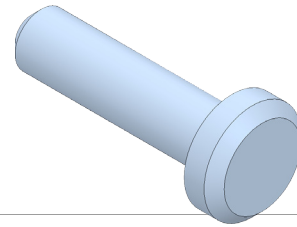


Bike and Trailer Trailer Axle



A. Save As TRAILER AXLE.

- Step 1. Open your **BIKE AXLE** file.
- Step 2. Click File Menu > Save As.
- Step 3. In the Save As dialog box:
key-in **TRAILER AXLE** for file-name
select **Save as copy and open**
click **Save**, Fig. 1.
Close original document.

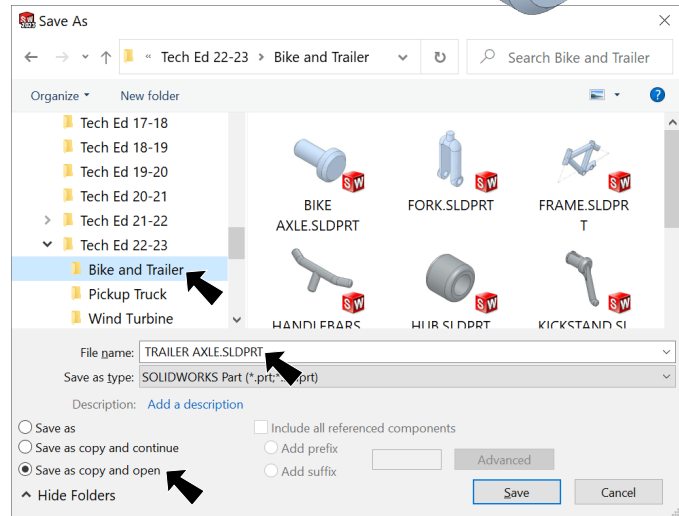


Fig. 1

B. Change Extrude Depth.

- Step 1. Click **Boss-Extrude2** in the Feature Manager and click **Edit Feature** in the content toolbar, Fig. 2.
- Step 2. In the Property Manager set:
under Direction 1, Fig. 3
change **Depth** to **10**
click **OK**.
- Step 3. Save (Ctrl-S).

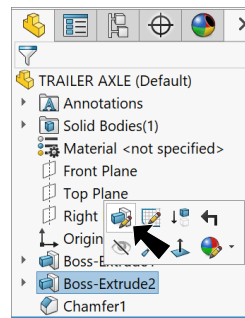


Fig. 2

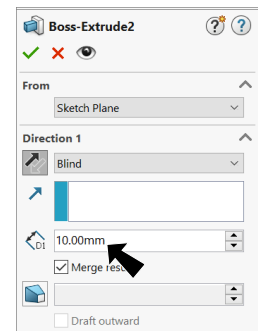


Fig. 3

You should have 2 axles:
BIKE AXLE 6
TRAIL AXLE 10

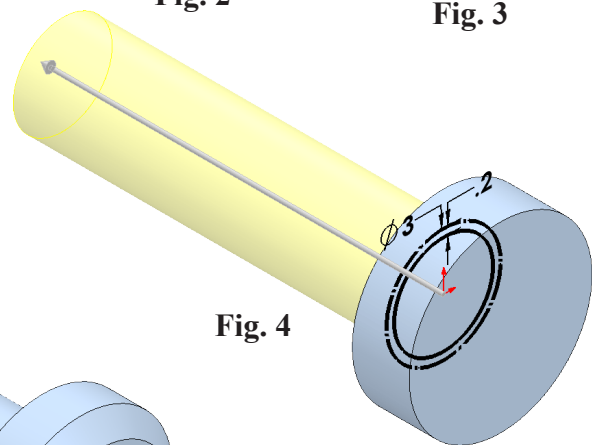


Fig. 4

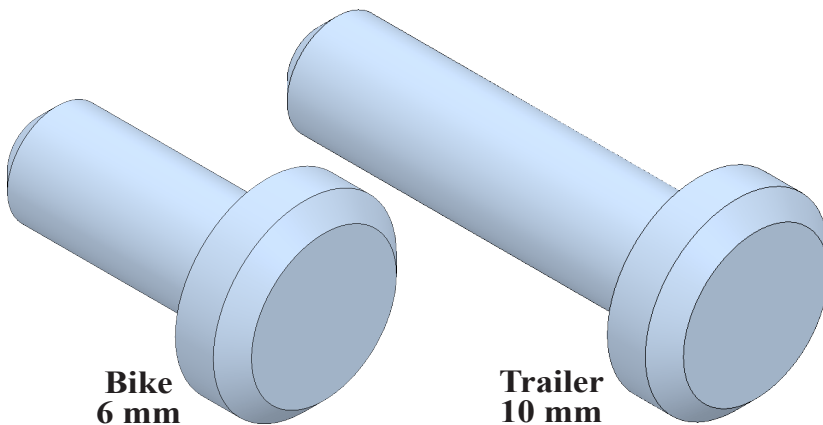


Fig. 5