

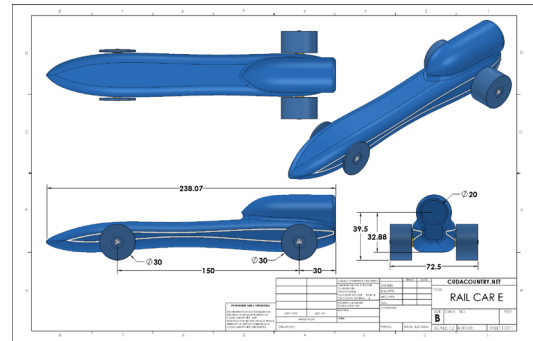


CO2 Rail Car E Drawing

A. Insert Views.

- Step 1. Click File Menu > New, click **Drawing Metric** and OK.
- Step 2. Click **Browse** in the Property Manager.
- Step 3. Select your **RAIL CAR E ASSEMBLY** file and click Open.
- Step 4. In the Model View Property Manager set:
 under Orientation, **Fig. 1**
 click **Right** 
 check **Preview**
 under Display Style
 select **Shaded With Edges** 
 under Scale
 select **Use custom scale**
 Scale **1:1**



- Step 5. Move the cursor into the graphic area. Align the left edge of the preview with left drawing edge and align bottom of preview with the top of title block. Click to place the right side view, **Fig. 2**.

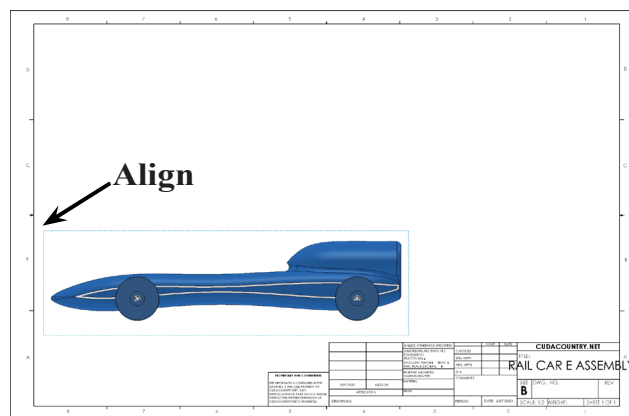


Fig. 2

- Step 6. **Move cursor straight up.** Center preview between the side view you just placed and top border line. Click to place the top view, **Fig. 3**.

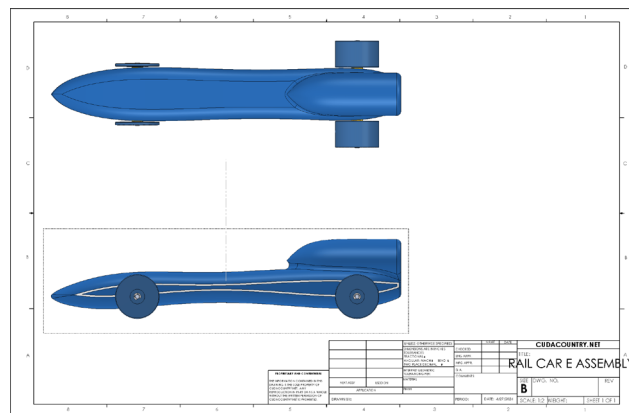


Fig. 3

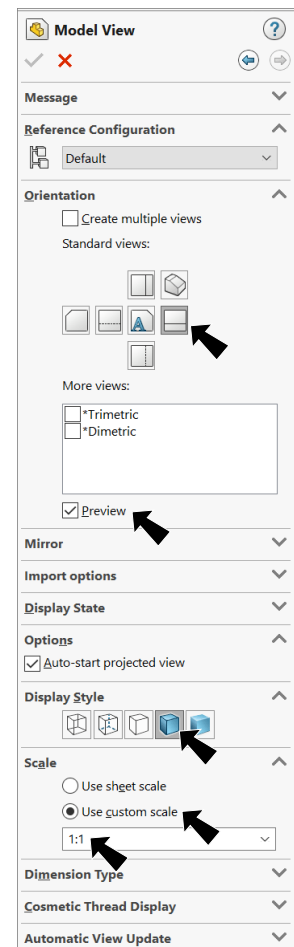


Fig. 1

Step 7. Move the cursor to the right of the side view. Center the preview between the side view and right border line. Click to place the back view, **Fig. 4**.

Step 8. Move the cursor to the top left corner of the drawing and click to place the Isometric view, **Fig. 5**.

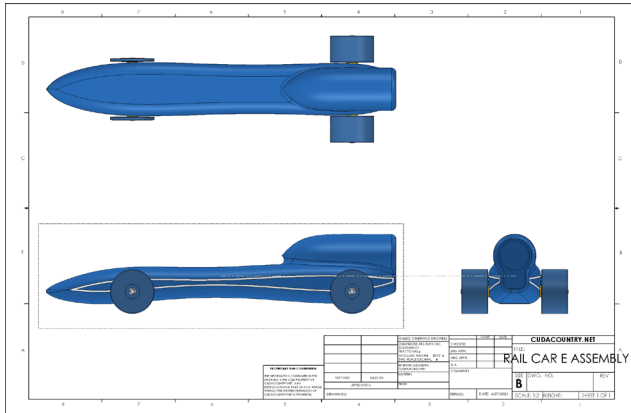


Fig. 4

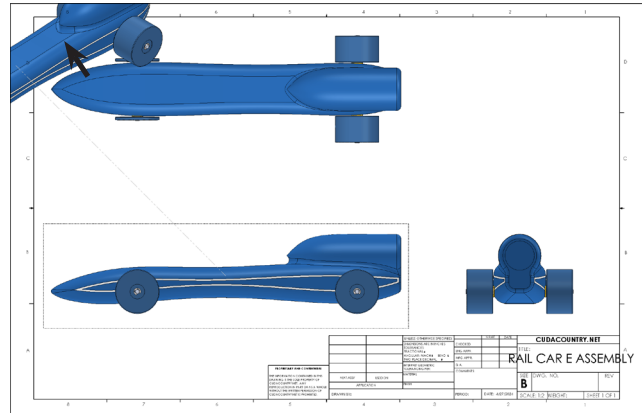


Fig. 5

Step 9. Click OK  in the Property Manager.

Step 10. Grab any geometry of the Isometric view and move view to top right corner of drawing, **Fig. 6**.

B. Save as "RAIL CAR E".

Step 1. Click File Menu > Save As.

Step 2. Key-in **RAIL CAR E** for the filename and press ENTER.

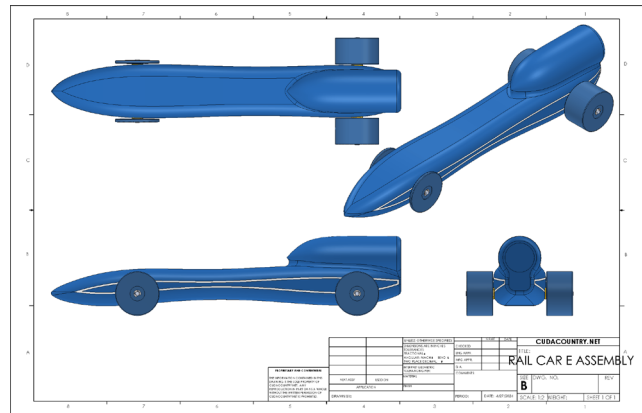


Fig. 6

C. Add Dimensions.

Step 1. Zoom in around the **side view**, **Fig. 7**.
To zoom, place the cursor over view and spin the wheel on mouse back.

Step 2. Click **Sketch**  on the Command Manager toolbar.

Step 3. Click **Smart Dimension**  (S) on the Sketch toolbar.

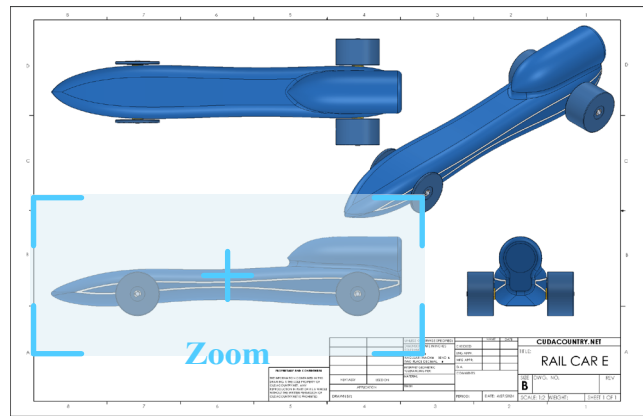


Fig. 7

Step 4. Add the dimensions to the side view, **Fig. 8**. To Smart dimension click the line then move the cursor out away from the line and click. Arrange the dimensions as **Fig. 10**. **You can only place dimensions here- you can not change dimensions.** To dimension an axle or wheel diameter, click circle, then move the cursor away from the circle and click.

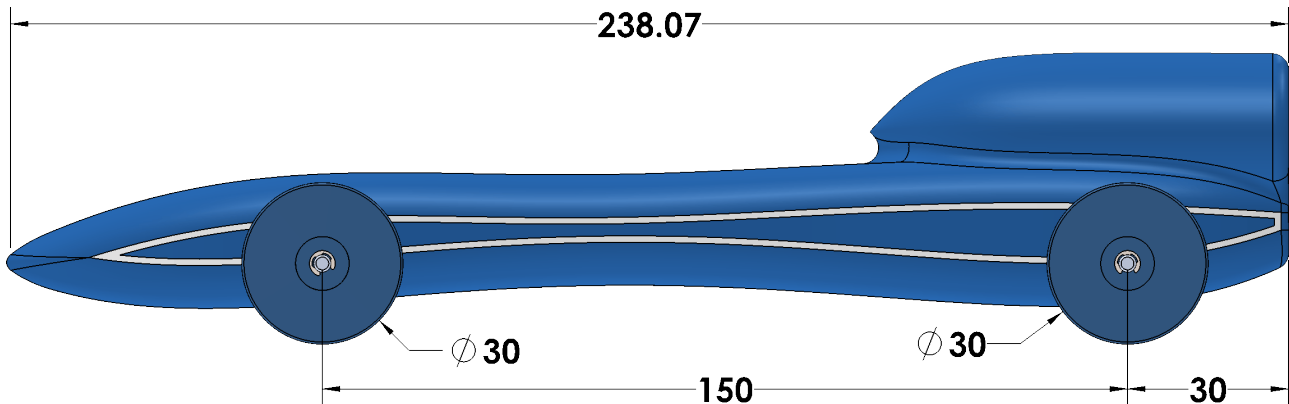


Fig. 8

Step 5. Use **F** key on keyboard to **fit** drawing. Zoom in around the **back view**, **Fig. 9**. To zoom, place the cursor over view and spin the wheel on mouse back.

Step 6. Add the dimensions to the **back view**, **Fig. 11**.

Step 7. Save  (Ctrl-S).

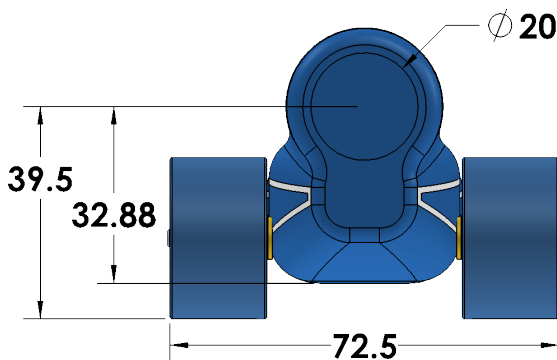


Fig. 9

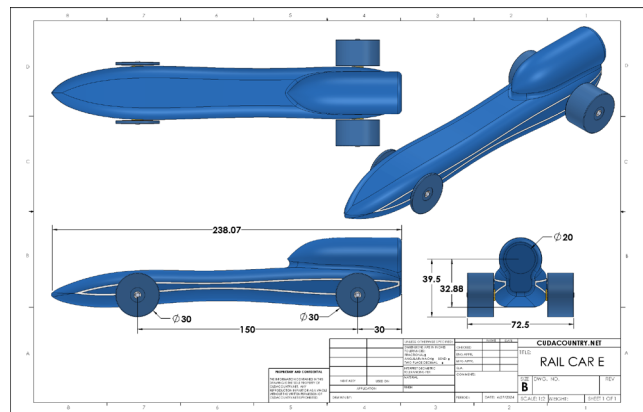


Fig. 10

D. Add Your Name and Period to Title Block.

Step 1. Use **F** key on keyboard to **fit** drawing.
Zoom in around the **DRAWN BY** and **PERIOD** in the title block, **Fig. 11**.

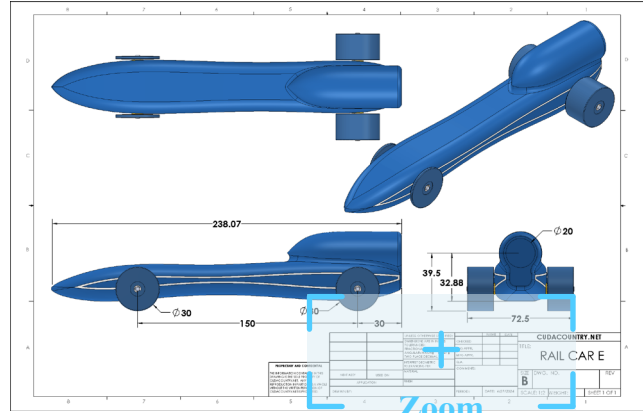
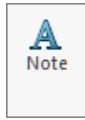


Fig. 11

Step 2. Click **Note** on the Annotation toolbar.



Step 3. In the Note Property Manager set:
under Leader, **Fig. 12**

click **No Leader**
check **Preview**

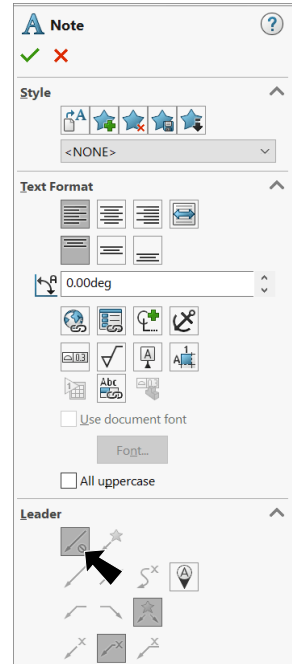


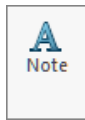
Fig. 12

Step 4. Click just to the right of DRAWN BY:, **Fig. 13**.

Step 5. Lock the Caps and key-in **your first and last names**, **Fig. 13**.

Step 6. Click OK  in the Property Manager.

Step 7. Click **Note** on the Annotation toolbar.



Step 8. Click just to the right of PERIOD:, click and key-in **your Period number**, **Fig. 14**.

Step 9. Click OK  in the Property Manager.

Step 10. Save  (**Ctrl-S**).

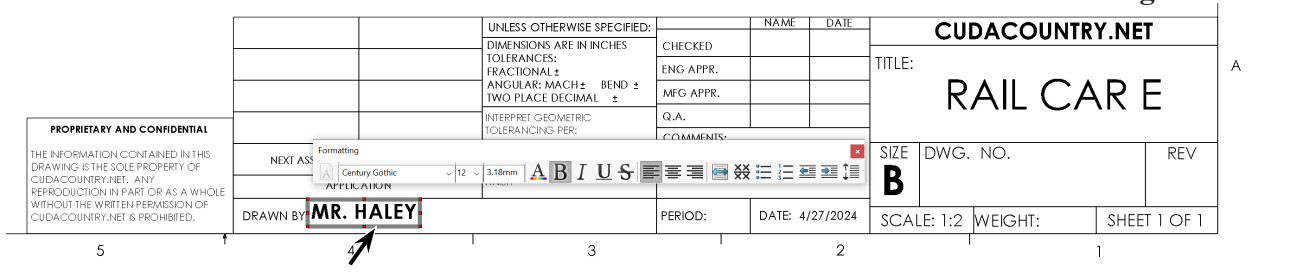


Fig. 13

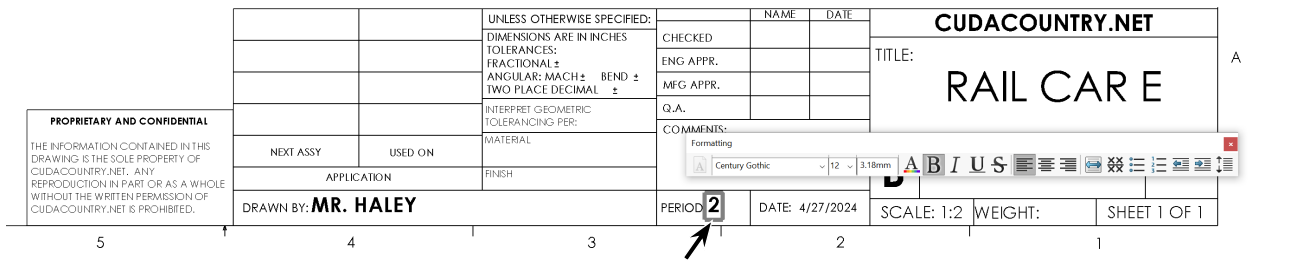


Fig. 14