


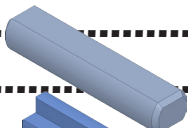
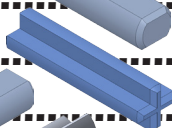
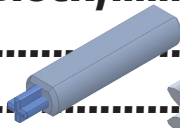

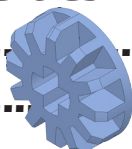
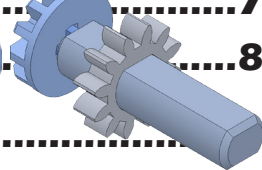



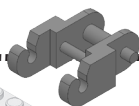
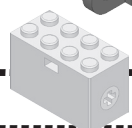
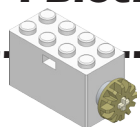
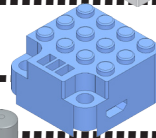

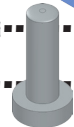
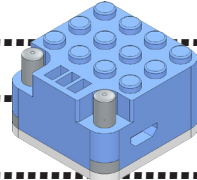


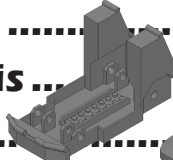
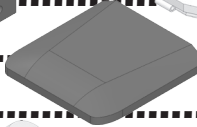
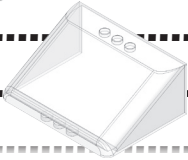

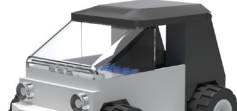


SOLIDWORKS 2025 TUTORIALS

ESCar

E's Small Car

Table of Contents

	Printed ✓	Chapters	Page
Part	<input type="checkbox"/>	1 Washer/Spacer..... 	1-1
Part	<input type="checkbox"/>	2 Driven Axle 29.75..... 	2-1
Part	<input type="checkbox"/>	3 Lego Axle (Create Axle Block)..... 	3-1
Part	<input type="checkbox"/>	4 Driver Axle 	4-1
Tool Box	<input type="checkbox"/>	5 Sprocket (Gear) 12T 1M..... 	5-1
Tool Box		6 Set Toolbox Files Properties.....	6-1
Part	<input type="checkbox"/>	7 Bevel Gear..... 	7-1
Assembly		8 Driver Axle Assembly..... 	8-1
Part	<input type="checkbox"/>	9 Rim..... 	9-1
Part	<input type="checkbox"/>	10 Tire..... 	10-1
Assembly		11 Wheel Assembly..... 	11-1
Part		12 Chain Link..... 	12-1
Part		13 Motor (Create 2 x 4 Block) .. 	13-1
Assembly		14 Motor Assembly..... 	14-1
Part		15 Battery..... 	15-1
Part		16 Battery Cover..... 	16-1
Part		17 Terminal..... 	17-1
Assembly		18 Battery Assembly..... 	18-1
Part		19 Master Model..... 	19-1
Part	<input type="checkbox"/>	20 Hatch..... 	20-1
Part	<input type="checkbox"/>	21 Chassis..... 	21-1
Part	<input type="checkbox"/>	22 Roof..... 	22-1
Part	<input type="checkbox"/>	23 Windshield..... 	23-1
Part	<input type="checkbox"/>	24 Headlight..... 	24-1
Assembly		25 ESCar Assembly..... 	25-1
Visualize		26 Render in Visualize.....	26-1

Parts:

Circuit Cubes Bluetooth Upgrade Kit

Lego Technic Chain Link 100 Pieces

